

# Summary Data Sheet

## HelloDevice 1200 Ethernet and Dual-Port RAM Communication Module

Last updated: 3 August, 2000



*The small size of the 1200 module can be easily embedded in a parent device.*

- Customizable Web server
- 10Base-T Ethernet Interface
- 2 KB Dual-Port RAM Interface
- Built-in TCP/IP Stack
- 5V DC Power (200mA nominal)
- Utility Software
- Dimensions 66mm x 33mm

## Description

The 1200 "HelloDevice" module is a complete internet controller and web server solution for manufacturers and system integrators, who need a way to rapidly create internet-ready devices.

Devices can be easily integrated with the 1200 module to connect to the internet, by integrating Dual-Port Memory communication with the standard TCP/IP which then gives it all the built-in functionality such as the web server or client email.

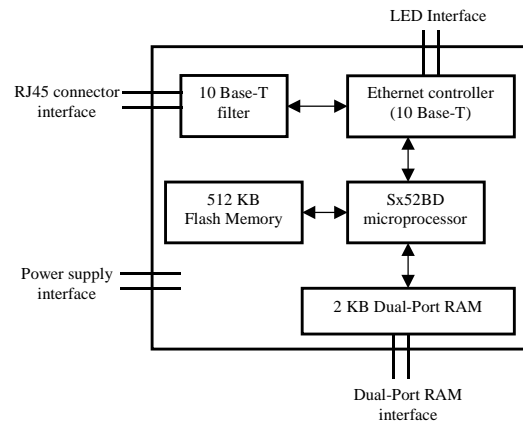
The module is preprogrammed to achieve a true plug and play Internet solution for new devices that are designed to be network-enabled.

The module is preloaded with the embedded web server and can be customized with HTML pages and Java™ applets. Client communicates with this controller through the standard web browsers.

The mechanical dimensions of the module are approximately 62mm x 33mm.

The 1200 module provides 40 pin external interface connector for power supply, RJ45 connector, and Dual-Port RAM access communication.

A simple block diagram of the 1200 module:



The 1200 HelloDevice may be ordered from this Web site: <http://www.sena.com>.

Question may also be directed to:

Sena Technologies, Inc.  
 Tel: +82-2-529-7025  
 Email: [hellodevice@sena.com](mailto:hellodevice@sena.com)

## Key Specifications / Features

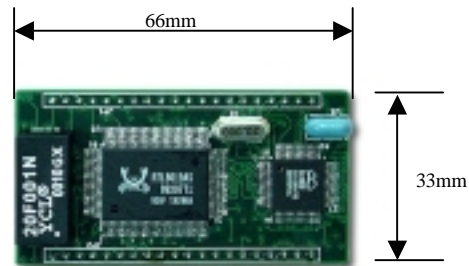
- ◆ Processor and Memory:
  - Scenix SX52BD  
8 bit microprocessor, 50 MIPS
  - 512 KB Flash memory is provided for Web resource files and control parameters.
- ◆ Network Interface:
  - 10Base-T Ethernet MAC and PHY interface with a built-in RJ45 Ethernet connector
  - TCP/IP stack and web server firmware included
  - An Ethernet MAC and default IP address comes pre-assigned with each module. The IP address can be modified from utility software provided.
- ◆ TCP/IP stack protocols
  - ARP
  - IP/ICMP
  - TCP/UDP
  - HTTP/BOOTP
- ◆ Device Interfaces:
  - 2 KB Dual-Port RAM with 24 pin interface connector
- ◆ External Interfaces:
  - Power, RJ45, LED interface with 10 pin interface connector
- ◆ Power Requirements:
  - Supply voltage = 5 V DC  $\pm$ 10%
  - Supply current = 200mA (nominal)
- ◆ Environmental:
  - Operating temperature: 0 to +70C
  - Humidity: 5 - 95%, non-condensing
  - Storage temperature: -40 to +125C

## Utility software:

- ◆ Platform  
Windows 95/98/NT/2000
- ◆ Function
  - BOOTP server with IP setup/change/clear functions
  - Web resource files build/upload
  - Low-level monitor commands

## Physical Properties:

- ◆ Size
  - 66mm L x 33mm W x 16mm H



**Top view of HelloDevice 1200 module:**

